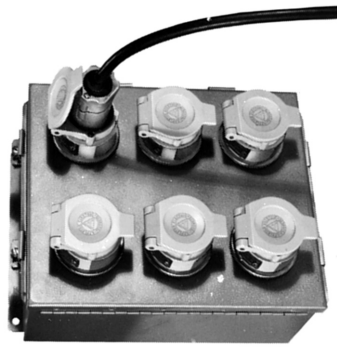


20 Amp U-Line® ECH/ECHT Factory Sealed Receptacles for Panel Mounting: Explosionproof, Dust-Ignitionproof.

Dead-Front Safety Construction — Grounding thru Extra Pole and Shell. Raintight.



Class I, Groups B, C, and D
Class II, Groups F*, G
Class III



Typical Class I, Division 1 Application

Typical Class I, Division 2 Application

Recommended Enclosure Types for use with ECH/ECHT Receptacle

Hazardous (Classified) Location	Suitable Enclosure Type
Class I, Div. 1	NEMA 7BCD with 1-1/2" (1-1/2-11-1/2 NPT) or 2" (2-11-1/2 NPSM) thread opening. Minimum 7 full threads of engagement required for Group B; minimum 5 threads for groups C and D.
Class I, Div. 2	NEMA 3, 3R, 4, 4X, 5, 12 or any suitable enclosed or gasketed enclosure that prevents the escape of sparks or burning materials.
Class II, Div. 1	NEMA 9F*, G with 1-1/2" ((1-1/2-11-1/2 NPT) or 2" (2-11-1/2 NPSM) thread opening. Minimum 3 full threads of engagement required.
Class II, Div. 2	NEMA 3, 3S, 4, 4X, 5, 12 or any suitable enclosed or gasketed enclosure that minimizes entrance of dust and prevents the escape of sparks or burning materials.

- For Class I, Division 1 applications, the ECHT is ideal where unit is threaded into 1-1/2" NPT (tapered) threads, such as in panelboards. The ECH is ideal for Class 1, Division 1 applications in NPSM (straight) thread 2" openings. Class 1, Division 1 applications require a minimum of five full threads of engagement (seven for Group B).
- For Class 1, Division 2 applications, the ECHT and ECH are suitable for use with approved enclosures having threaded or non-threaded openings for these receptacles. Where threaded enclosures are used, they must have 1-1/2" NPT or NPSM threads to fit the ECHT and 2" NPSM (straight) threads to fit the ECH. No thread engagement is required unless non-factorysealed devices are also installed in the enclosure.
- Furnished with Steel locknut and neoprene sealing gasket assembly.
- Gasketed construction protects receptacle against moisture and dirt with plug in or out.
- Interior switch cylinder has neoprene O-ring at each end to seal out dust and moisture.
- Copper-free aluminum housing (4/10 of 1% max. copper content). Epoxy clad—two coat baked finish.



UL Listed 139L

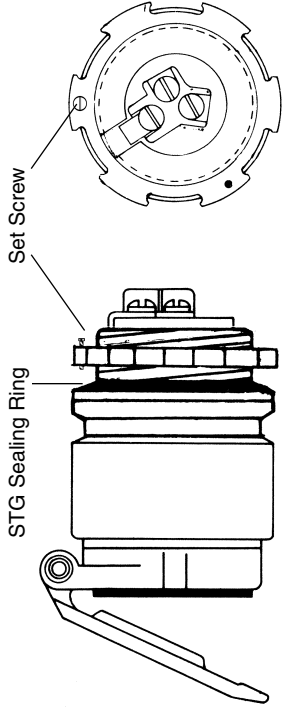
US Patent No. 3,346,709
Other Patents Pending



U-LINE® PANEL MOUNTING RECEPTACLE

Receptacle interlocked with switches for use in hazardous atmosphere, do not use in Class II, Group F locations which contain electrically conductive dusts.

Caution: Receptacle interlocked with switches for use in hazardous atmosphere, do not use in Class II, Group F locations which contain electrically conductive dusts.



Note: For NEMA 4X Rating use screw cover provided.

Receptacle Catalog Number	125V 20 Amp	250V 20 Amp
ECHT2023		
ECHT20232		

ECHT has tapered threads (1-1/2 — 11-1/2 NPT).

Seals must be placed adjacent to each conduit entrance.

U-Line Model B Plugs for use with above Receptacles

Receptacle Catalog Number	125V 15 Amp	125V 20 Amp	250V 20 Amp
ECP1523			
ECP2023			
ECP20232			
NCP1523			
NCP2023			
ECP20232			



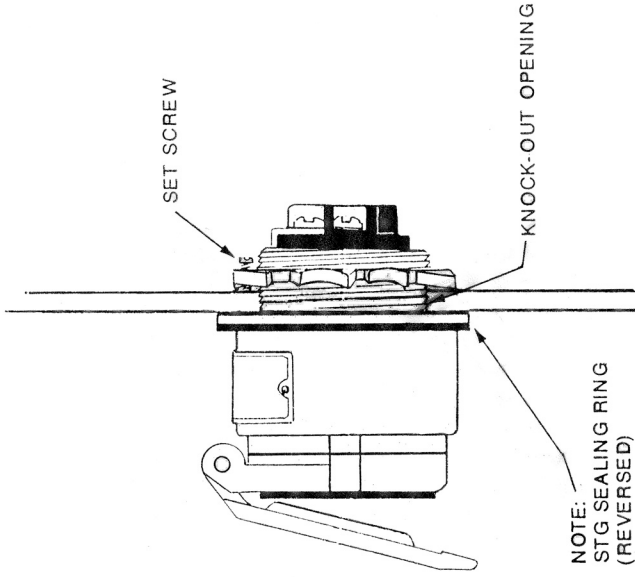
Class I, Groups B, C, and D
Class II, Groups F*, G
Class III

Plugs also fit NEMA 5-15R, 5-20R, or 6-20R receptacles in non-classified areas
Plugs are 2-wire, 3-pole, for cable diameter .427" to .625"

U-LINE® PANEL MOUNTING RECEPTACLE

For Division 1 Location:

Receptacle must be mounted in classified enclosure suitable for class and group of the location. Install in 1-1/2—11-1/2 NPT thread opening (tapered thread with at least 7 full threads engaged for Group B, 5 full thread engaged for Groups C and D, 3 full thread engaged for Groups F and G. Adjust receptacle to the desired position and then tighten the locknut firmly and tighten the set screw to prevent rotation.

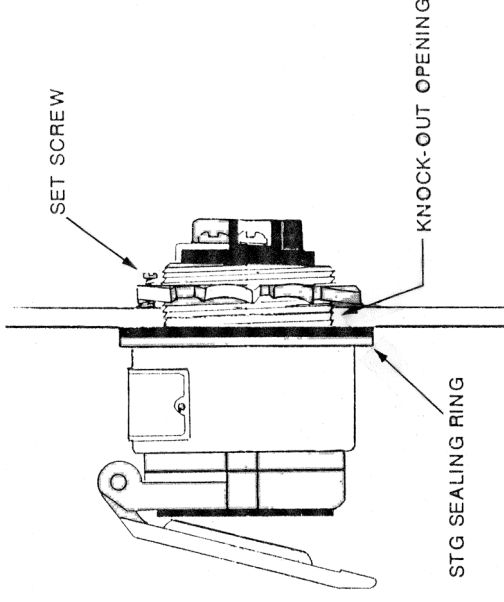


For Division 2 Location:

For Class I, receptacle must be mounted in any enclosure suitable for non-hazardous locations. Install in 1-1/2—knock-out opening and tighten the locknut firmly and tighten the set screw to prevent rotation when the receptacle is in the desired position. For Class II, a dust tight enclosure is required.

For Raintight Location:

Receptacle must be mounted in enclosure suitable for raintight locations.



7 FULL THREADS FOR GROUP B

5 FULL THREAD FOR GROUPS C AND D

3 FULL THREAD FOR GROUPS F AND G

CAUTION

1. Attach wiring only after the receptacle has been secured in place as described above (Pigtails may be wired before assembly).
2. A 1/2 inch spacing through air must be maintained between the wiring terminals of the receptacle and any live or dead metal parts of the enclosure, and between the dead metal parts of the receptacle and the live parts in the enclosure.

* For use only in equipment where the acceptability of the combination is determined by Underwriters Laboratories, Inc.